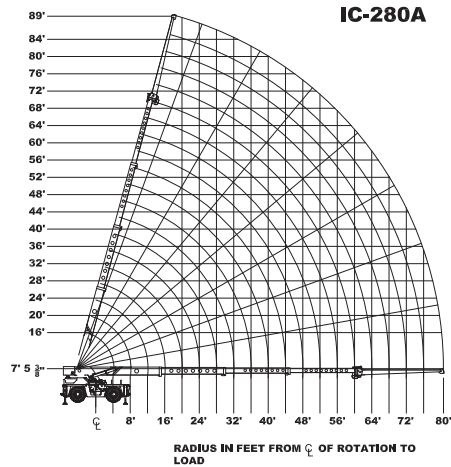


## Load Chart US Standard

# IC-280-A Industrial Crane

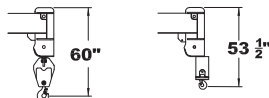


**CAPACITIES APPLY TO OPERATION ON FIRM LEVEL SURFACE  
MAIN BOOM OR EXTENSION CAPACITIES IN POUNDS**

LOAD RADIUS FEET	360 ROTATION				OVER FRONT				
	ON RUBBER	OUTRIGGERS OUT&DOWN	OUTRIGGERS MID&DOWN	OUTRIGGERS IN&DOWN	ON RUBBER	ON OUTRIGGERS			
6	14800	40000	40000	40000	14800	40000			
8	14800	34000	34000	34000	14800	34000			
10	10300	30000	30000	21200	14800	30000			
12	6800	28000	28000	16600	14800	28000			
14	6200	24000	20000	12000	14800	24000			
16	4500	21000	15700	9400	11600	21000			
18	3500	18900	14700	7700	9300	18900			
20	3100	17000	11300	6400	7800	17000			
22	2300	15100	9900	5400	6800	14900			
24	1800	13100	8000	4600	5900	13100			
26	1500	11800	7300	4000	5200	11900			
28	1000	10400	6500	3300	4600	10300			
30	---	9400	5700	2900	4000	9400			
32	---	8500	5100	2500	3600	8400			
34	---	7700	4500	2200	3200	7400			
36	---	6900	4000	1900	2800	6900			
38	---	6300	3700	1700	2500	6300			
40	---	5700	3200	1400	2200	5700			
42	---	5200	3000	1100	2000	5200			
44	---	4800	2700	900	1800	4800			
46	---	4400	2400	---	1600	4400			
48	---	4000	2200	---	1400	4100			
50	---	3700	2000	---	1200	3700			
52	---	3400	1800	---	1100	3500			
54	---	3200	1500	---	900	3200			
56	---	2900	1400	---	---	3000			
58	---	2700	1200	---	---	2700			
60	---	2500	1100	---	---	2150			
64	---	2100	---	---	---	1800			
68	---	1800	---	---	---	1500			
72	---	1400	---	---	---	1300			
76	---	1100	---	---	---	1200			
79	---	900	---	---	---	1100			
BOOM EXTENSION	<b>20 FOOT BOOM EXTENSION CAPACITIES</b>								
		<b>MAIN BOOM ANGLE</b>							
	BOOM EXT OFFSET	0	15	30	40	50	60	70	75
	0	2600	2750	3000	3400	4100	5100	6200	7000
	15	---	2500	2600	2700	2900	3300	4300	4800
30	---	---	2300	2400	2500	2700	3200	3400	

### FOURTH STAGE TIP

USE FOUR PART LINE FOR LOADS TO 40,000 LBS.



SHEAVE BLOCK & HOOK: 400 LBS.

LOAD RADIUS IS THE HORIZONTAL DISTANCE FROM THE CENTER OF ROTATION OF THE UNLOADED CRANE TO THE VERTICAL LOAD LINE WITH THE LOAD APPLIED.

LOAD HOOKS, DOWN HAUL WEIGHTS, HOOK BLOCKS, AND OTHER LOAD HANDLING DEVICES EXCEPT HOIST ROPE SHALL BE CONSIDERED PART OF THE LOAD.

CAPACITIES ON OUTRIGGERS OUT & DOWN ARE 85% OF TIPPING LOADS. CAPACITIES ON IN & DOWN OR MID & DOWN OUTRIGGERS ARE LESS THAN 85% OF TIPPING LOADS. CAPACITIES ON RUBBER ARE 75% OF TIPPING LOADS. CAPACITIES BELOW BOLD LINES ARE LIMITED BY STRUCTURAL OR HYDRAULIC CAPACITY.

PICK AND CARRY WITH THE SHORTEST PRACTICAL BOOM, CENTERED OVER THE FRONT. OPERATE WITH BOOM AS LOW AS POSSIBLE, WITH THE LOAD CLOSE TO THE GROUND. PICK AND CARRY CAPACITIES ARE FOR SMOOTH, LEVEL, PAVED SURFACE. SPEED MUST BE LESS THAN 3 MPH.

DECK CAPACITY 14,800 LBS. WITH EMPTY BOOM RETRACTED OVER FRONT. DECK LOADS SPEED MUST BE LESS THAN 2 MPH MAXIMUM. MUST BE CENTERED BEHIND FRONT AXLE. TRVEL 200 FT. IN 30 MINUTES ON SMOOTH PAVEMENT.

THE BOOMS ON THIS UNIT ARE ALL STEEL AND HAVE NO LINE VOLTAGE RATING. — NO ELECTRICAL INSULAITON VALUE. MAXIMUM HUDRAULIC PRESSURE: 3000 PSI. BOOM EXTENSION DEDUCT 500 LBS WHEN STOWED ON BASE BOOM.