

# **ORION** **K120**

**HEAVY FORK LIFTTRUCKS**

120,000 lbs. maximum capacity



*Orion K120: 120,000 lbs. capacity*

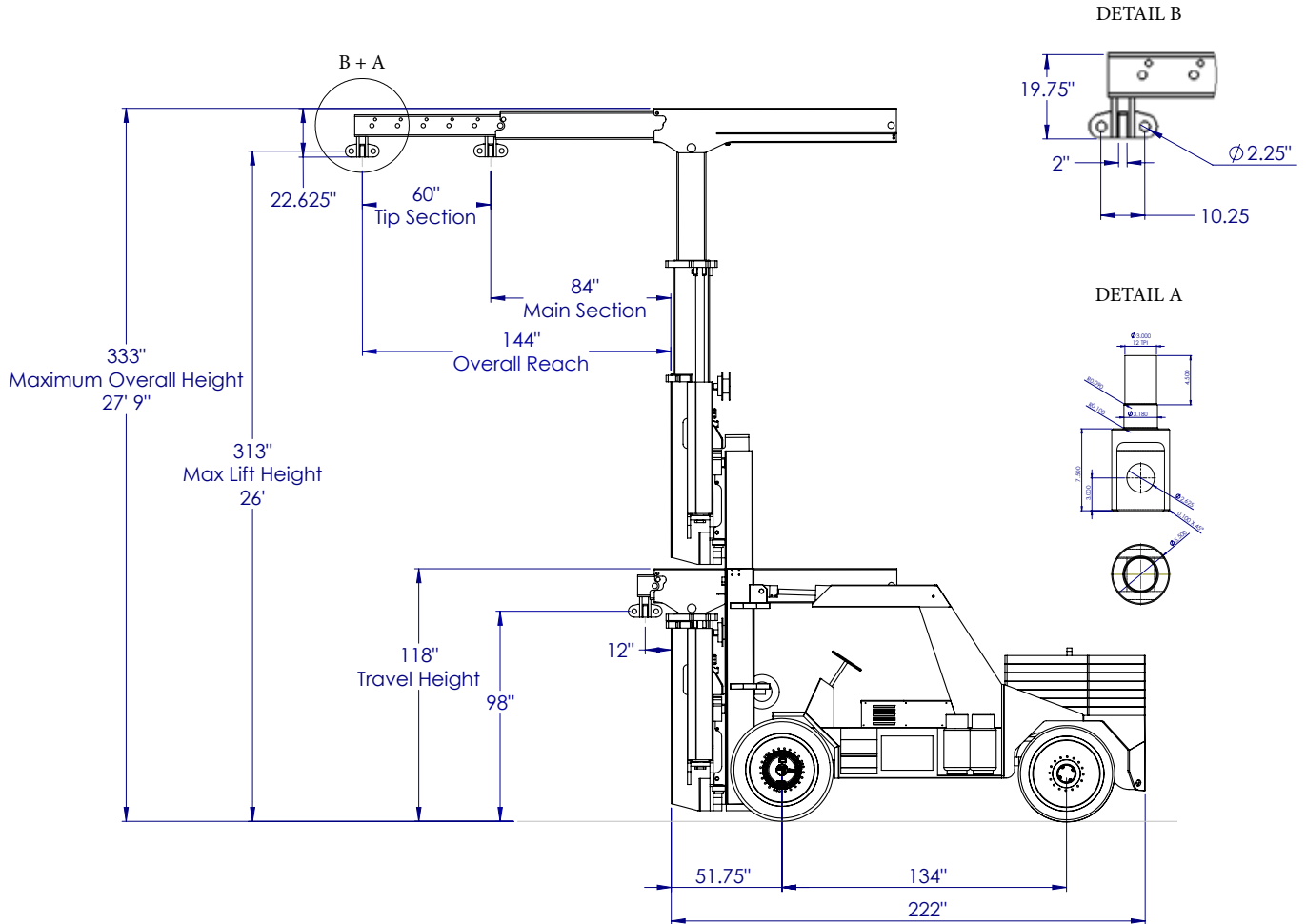
- Orion's quick-change boom system
- Durable components long, dependable life.
- Smooth, controlled hydrostatic drive
- Powerful V8, LP power
- Made in Canada

[www.highreachinc.com](http://www.highreachinc.com)

[www.orionlifts.com](http://www.orionlifts.com)

# ORION <sup>+</sup><sup>+</sup><sup>+</sup> K120

BETTER FORK LIFT TRUCKS



## K120 with Boom Only

Load Center in Inches:	Boom Lifting Capacities in Pounds										
	1st Stage (Main Section)						2nd Stage (Tip Section)				
	12	24	36	48	60	72	84	96	108	120	132
0 Counterweights Installed:	43,630	36,960	32,060	28,310	25,340	22,940	20,950	19,280	17,850	16,630	15,560
2 Counterweights Installed:	64,590	54,720	47,460	41,910	37,510	33,960	31,010	28,540	26,430	24,620	23,030
4 Counterweights Installed:	85,550	72,480	62,870	55,510	49,690	44,970	41,080	37,800	35,010	32,600	30,510
5 Counterweights Installed:	96,040	81,350	70,570	62,310	55,780	50,480	46,110	42,430	39,300	36,600	34,240
<b>7 Counterweights Installed:</b>	<b>115,000</b>	<b>95,000</b>	<b>85,000</b>	<b>75,000</b>	<b>67,950</b>	<b>60,000</b>	<b>55,000</b>	<b>51,700</b>	<b>47,880</b>	<b>44,590</b>	<b>41,720</b>

# ORION <sup>+</sup><sup>+</sup><sup>+</sup> K120

BETTER FORK LIFT TRUCKS

118,200 lbs @ 24" w/Sideshift  
86,850 lbs @ 48" w/Sideshift

Lift Height (clear): 115" Free Lift: 35"

Standard Forks dimensions: 96" x 12" x 5"  
Max distance between forks: 75"  
Min distance between forks: 5"

Max lift height w/boom: 26'  
Max horizontal reach w/boom: 11'

Travel Height: 118"  
Overall Width: 102"  
Overall Length: 212"  
Wheelbase: 134"

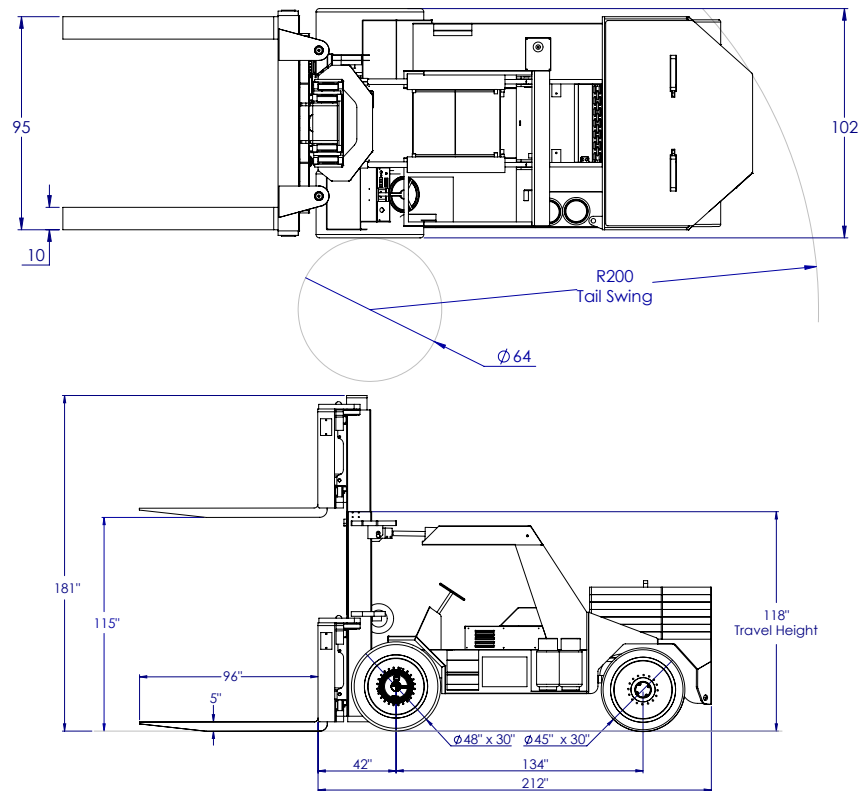
Engine/Fuel: 5.7 Litre GM Industrial  
Hydrostatic Pump: Danfoss  
Gradability: 20% loaded 60 % unloaded

Tires Front: 48" dia x 30"  
Tires Rear: 45" dia x 12" non-marking

### Component Weights:

Chassis w/forks & all ctwts: 105,130 lbs.  
(Front: 36,520 lbs, Rear: 68,610 lbs)

Chassis (w/o ctwts, w/forks): 62,080 lbs.  
(Front: 36,520 lbs, Rear: 25,560 lbs)  
Forks/carriage: 6,760 lbs.  
Boom: 10,400 lbs.  
Boom & Stand: 11,900 lbs.  
Counterweights: 7x 6,150 lbs.  
Total Ctwts: 43,050 lbs



## K120 with Forks Only

Load Center in Inches:	Fork Lifting Capacities in Pounds					
	24	36	48	60	72	84
0 Counterweights Installed:	44,030	37,300	32,360	28,570	25,570	23,150
2 Counterweights Installed:	65,220	55,250	47,930	42,310	37,880	34,290
4 Counterweights Installed:	86,410	73,200	63,500	56,060	50,190	45,430
5 Counterweights Installed:	97,010	82,180	71,280	62,940	56,340	51,000
<b>7 Counterweights Installed:</b>	<b>118,200</b>	<b>100,130</b>	<b>86,850</b>	<b>76,680</b>	<b>68,650</b>	<b>62,130</b>

# ORION<sup>+</sup><sup>+</sup><sup>+</sup> K120

BETTER FORK LIFT TRUCKS

## ORION 120 features:

- ✓ Rugged design, durable construction, and long-life components.
- ✓ The Orion Quick Change Riggers' Boom is safer and faster to install AND it improves boom lifting capacities.
- ✓ Full-power fork locators align the forks where you need them, when you need them, effortlessly.
- ✓ Side-shifting carriage permits safer, faster, more accurate placement of big, heavy loads.
- ✓ Available full-function digital remote control.

## Optional Equipment:

- ✓ Extra-long forks
- ✓ Coil prong or Coil forks
- ✓ Extra-wide/custom carriage
- ✓ Cummins diesel power Tier 4i
- ✓ Operator cab with heater, air conditioning
- ✓ Full-function (steer, drive, lift) Digital, Radio Remote Control



480 Wycroft Road, Oakville, Ontario, L6K 2G7 Canada  
T: (905)844-4164 • [www.highreachinc.com](http://www.highreachinc.com)