

# **ORION** ✨ ✨ ✨ **140K-3**

**POWERFUL, PRECISE PERFORMANCE**

140,000 lbs. maximum capacity



**ORION 140K-3**  
**140,000 lbs. capacity @ 24" Load Centre**

- Orion's Quick-Change Boom System
- Durable Components, Long Dependable Life
- Smooth, Precise Hydrostatic Drive
- GM 5.7 litre V-8 Power, LP
- Fabriqué au Canada

[www.highreachinc.com](http://www.highreachinc.com)

905-844-4164

[www.orionlifts.com](http://www.orionlifts.com)

© High Reach Inc. Feb. 2021

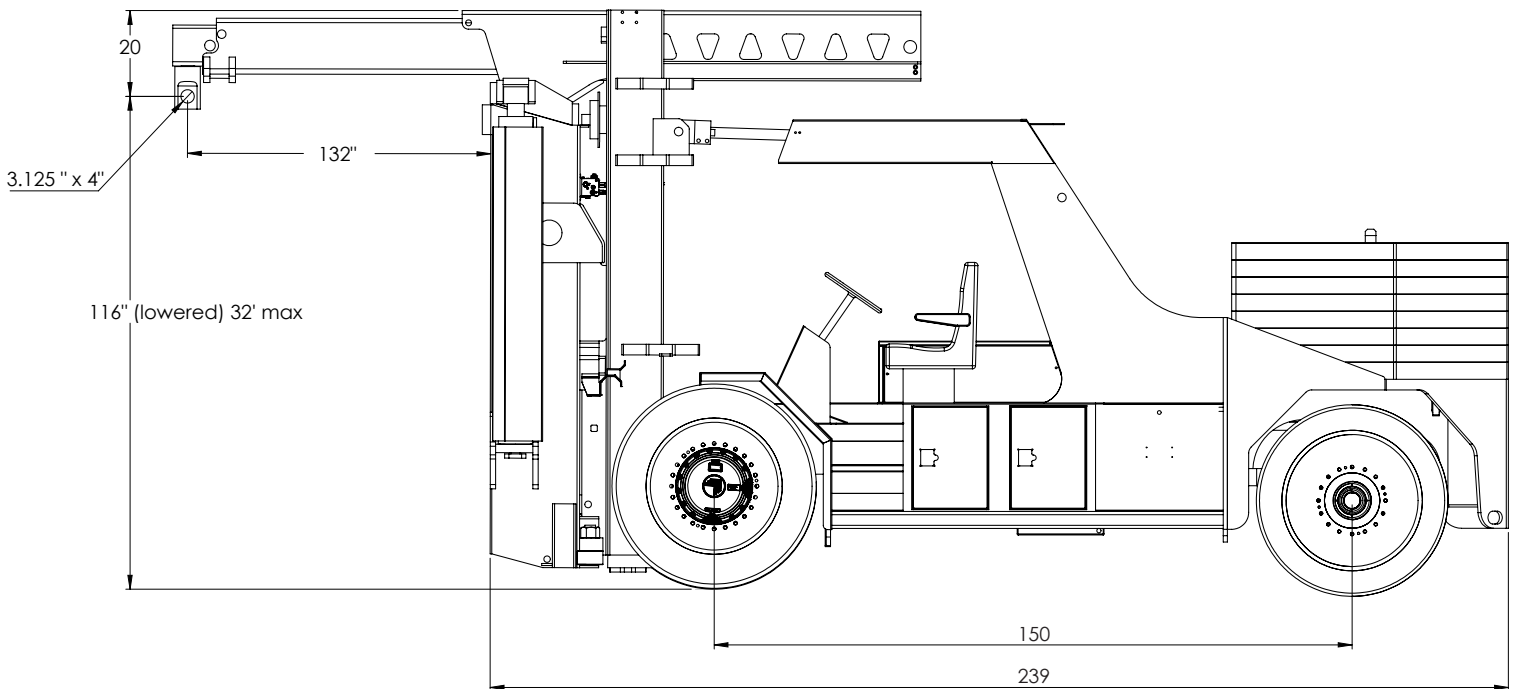
# ORION<sup>+</sup> 140K-3

POWERFUL, PRECISE PERFORMANCE

## Component Weights:

Chassis w/forks& all counterweights: 113,000 lbs.  
 Front Axle: 38,960 lbs.  
 Rear Axle: 74,040 lbs.  
 Chassis w/forks, no counterweights: 65,000 lbs.

Boom: 15,360 lbs.  
 Boom & Stand: 17,288 lbs..  
 Counterweights: 8 x 6,000 lbs each  
 Total Counterweights: 48,000 lbs.



## Rated Capacities on Boom in Pounds - Mast Vertical, 0° Tilt

Load Center in Inches:	1 <sup>st</sup> Stage						2 <sup>nd</sup> Stage (Tip Section)				
	12	24	36	48	60	72	84	96	108	120	132
0 Counterweights	48,710	40,970	35,350	31,090	27,740	25,040	22,830	20,970	19,390	18,030	16,860
2 Counterweights	72,490	60,970	52,610	46,260	41,280	37,270	33,970	31,210	28,860	26,840	25,080
4 Counterweights	96,270	80,970	69,860	61,440	54,820	49,500	45,110	41,440	38,330	35,640	33,310
6 Counterweights	120,050	100,970	87,120	76,610	68,370	61,720	56,260	51,680	47,790	44,450	41,540
<b>8 Counterweights</b>	<b>140,000</b>	<b>120,970</b>	<b>104,380</b>	<b>91,790</b>	<b>81,910</b>	<b>73,950</b>	<b>67,400</b>	<b>61,920</b>	<b>57,260</b>	<b>53,250</b>	<b>49,770</b>

# ORION <sup>+</sup><sup>+</sup><sup>+</sup> 140K-3

**POWERFUL, PRECISE PERFORMANCE**

140,000 lbs @ 24" Load Centre  
with side-shifting carriage

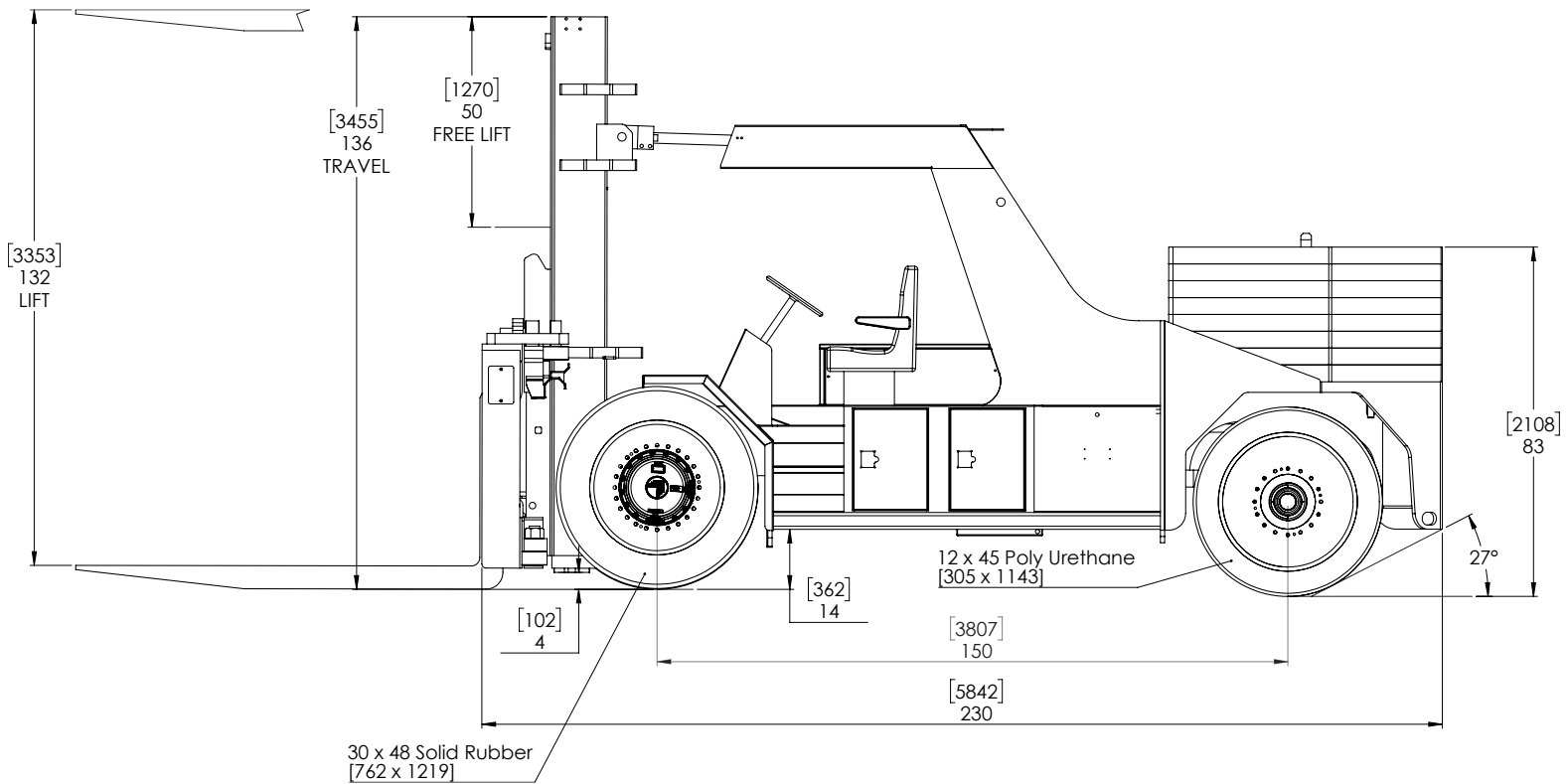
Lift Height (clear): 132"  
Free Lift: 50"  
Standard Fork Dimensions: 96" x 12" x 5"  
Maximum distance between forks: 71" (std carriage)  
Minimum distance between forks: 5" (std forks)

Maximum Lift Height with Boom: 32' (384")  
Maximum Horizontal Reach with Boom: 132"  
Travel Height (with Boom or Forks): 136"  
Boom Lifting Eye Dimensions: 3.125" diameter, 4" thick

Overall Width: 102"  
Overall Length: 230"  
Wheelbase: 150"

Standard Engine/Fuel: 5.7 Litre V-8 GM LP  
Hydrostatic Pump: Danfoss

Gradability: 20% Loaded, 60% Unloaded  
Tires, Front: 48" x 30"  
Tires, Rear: 45" x 12"



Rated Capacities on Forks in Pounds						
Load Center in Inches:	24	36	48	60	72	84
0 Counterweights	49,320	42,870	36,240	32,000	28,640	25,930
2 Counterweights	72,210	62,770	53,060	46,850	41,940	37,960
4 Counterweights	95,090	82,660	69,880	61,690	55,230	49,990
6 Counterweights	117,980	102,560	86,690	76,540	68,520	62,020
<b>8 Counterweights</b>	<b>140,000</b>	<b>122,450</b>	<b>103,510</b>	<b>91,390</b>	<b>81,810</b>	<b>74,050</b>

# ORION<sup>+</sup> 140K-3

**POWERFUL, PRECISE PERFORMANCE**

## ORION 140K-3 FEATURES:

- ✓ Side-Shifting Carriage precise load placement. Safer and Faster and saves on wear-and-tear.
- ✓ Ergonomic Operator's Station makes for better sightlines, comfort, and attitude. Improves production.
- ✓ Orion's Quick-Change Rigger's Boom; Change from boom-to-forks, or forks-to-boom in minutes. It's safer, faster, & smarter.
- ✓ Full-Power (Vertical & Horizontal) Rigging/Millwrighting Boom.
- ✓ Wide, large diameter (low psi) solid, non-marking tires.

## Optional Equipment:

- ✓ Extra-long forks.
- ✓ Coil prong, or Coil forks.
- ✓ Extra-wide/custom carriage.
- ✓ Cummins Diesel Power, Tier 4 Final EPA Compliant.
- ✓ Operator cab with heater, air conditioning.
- ✓ Full-function (steer, drive, lift, tilt) Digital Radio Remote Controls.
- ✓ Extra High Lifting with Orion's Carriage-on-Carriage.



Ergonomic Station, excellent sight lines.



Intuitive, informative gauge cluster.



Low-Lift, Safer, Faster, Propane Placement.



Pick it, carry it, place it.



High Reach Inc., 480 Wycroft Road, Oakville, Ontario, L6K 2G7 Canada  
T: 905-844-4164 • [www.highreachinc.com](http://www.highreachinc.com)