

VERSA-LIFT 40-60

40,000 to 60,000 lbs. maximum capacity



Versa-Lift 40-60: 60,000 lbs capacity.

- LP Power
- D.C. Electric Power
- Rigger's Lifting Boom
- Digital Remote Control

www.highreachinc.com

VERSA-LIFT⁴⁰⁻⁶⁰

40-60 Model

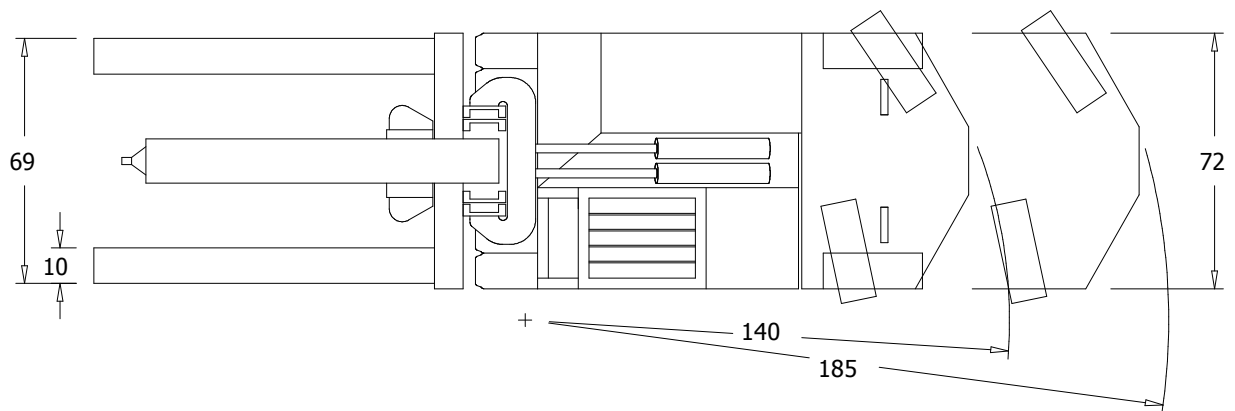
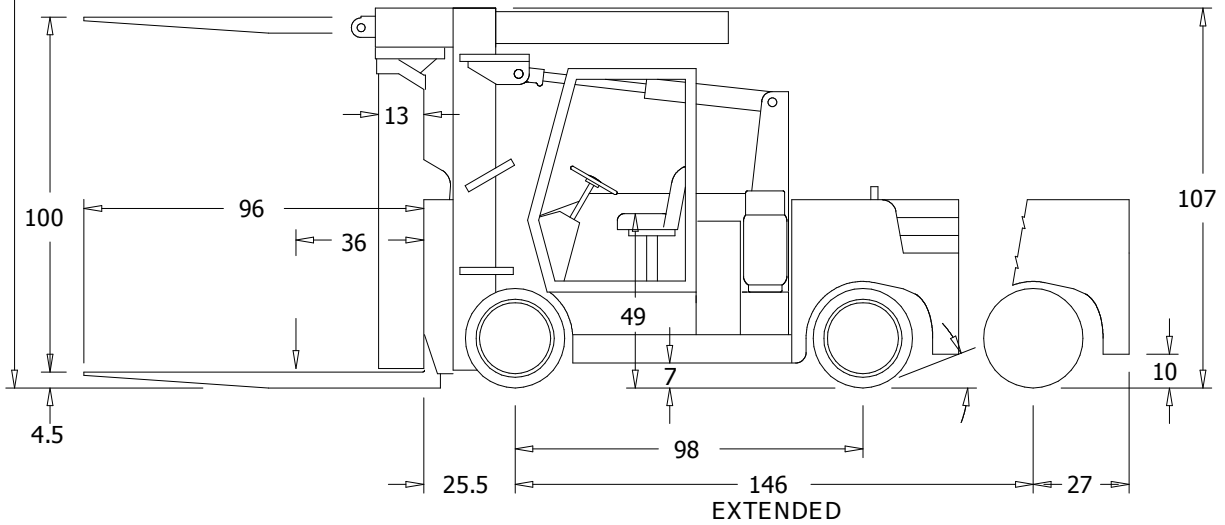
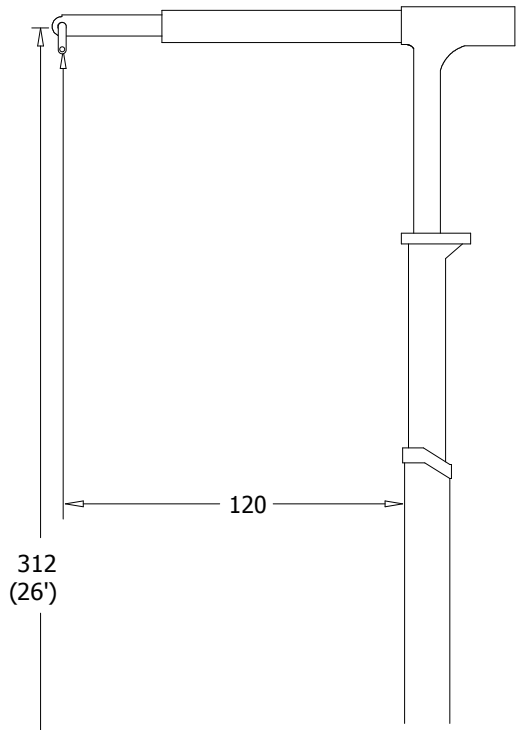
60,000 lbs. capacity @ 24" Extended
 40,000 lbs. capacity @ 24" Retracted

Engine: GM 3.0 Litre LP power
 Forks: 96" long x 10" wide x 4 1/2" thick
 Tires: Non-marking, solid.

Gradability: Empty: 47% Loaded 20%
 Total Vehicle weight: 57,000 lbs.
 Counterweights: 15,000 lbs.

3 each @ 5,000 lbs.
 Boom: 5,500 lbs. Forks: 3,000 lbs.

Stand: Aprox. 600 lbs.
 Boom tip diameter: 2"
 Boom tip thickness: 2 1/4"



Versa-Lift 40-60 Load Capacities (lbs) With Sideshift & Full Counterweights

40-60 Forks Only

Load Centre Inches	Counterweight Extension with Forks in Inches				
	0	12	24	36	48
36	36,200	42,500	46,900	51,200	55,600
48	32,300	36,000	39,700	43,300	47,000
60	28,000	31,200	34,400	37,600	40,700
72	24,700	27,500	30,300	33,100	36,000
84	22,100	24,600	27,100	29,700	32,200

40-60 Boom Only

Load Centre Inches	Counterweight Extension with Boom Only in Inches				
	0	12	24	36	48
24	36,400	40,700	45,000	49,200	53,500
48	26,800	30,000	33,100	36,200	39,400
72	21,200	23,700	26,200	28,700	31,200
96	17,600	19,600	21,700	23,700	25,800
108	16,200	18,100	19,900	21,800	23,700
120	16,000	16,000	16,000	16,000	16,000

The Versa-Lift 40-60 features:

- ✓ *Low travel height and extra-high capacity.*
- ✓ *Lifting on forks and/or full-power boom only.*
- ✓ *Smooth, controlled, and accurate hydrostatic drive.*
- ✓ *Extendable counterweights for better maneuverability and increased capacity.*
- ✓ *Available for sale or rent.*
- ✓ *Available remote control. Electrical power optional.*



Versa-Lift fork lift trucks are manufactured by
Custom Mobile Equipment Inc.
Baldwin City, Kansas

Shown with optional boom installed.



480 Wyecroft Road, Oakville, Ontario, L6K 2G7 Canada
T: (905)844-4164 • www.highreachinc.com